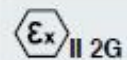
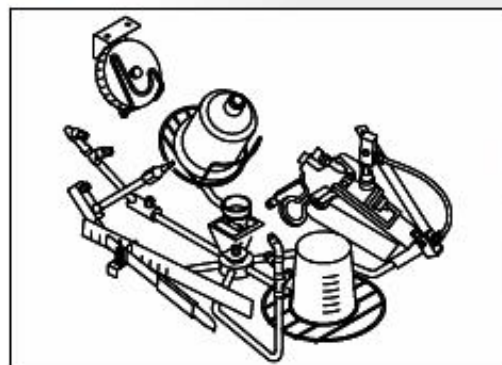


MOD. 180A - 180B - 180BX - 180CX "BEST"



- Automatic and manual wash of solvent-based paint
- Automatic vapour exhaustion from work area
- Automatic wash with diaphragm pump feeding recirculating liquid
- **MOD.180B / 180BX only:** final wash with an extra diaphragm pump feeding clean thinner operated by push-button
- **MOD.180CX only:** final wash by with an extra diaphragm pump feeding clean thinner operated by timer
- Wash with Venturi pump feeding recirculating thinner (except for 180A)
- Venturi pump feeding clean liquid
- Nebulizer for final rinse with clean thinner
- Air pressure regulator for color testing
- **MOD.180B / 180BX only:** 100% stainless steel
- ATEX II 2G



Dimensions	Weight	N° of spray-guns per washing cycle	Exhaust duct diameter	Operation	Air pressure
710 x 685 x 1500 mm	Kg 74	N° 2	mm 150	Pneumatic	min 6 max 10 bar